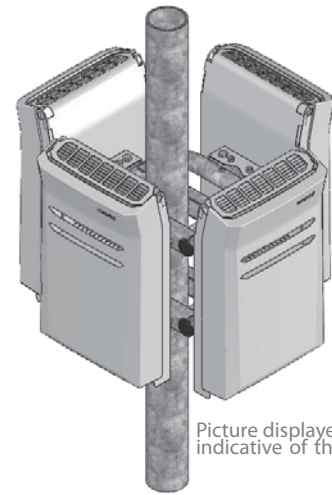


Ericsson RRU Mounts

Ericsson RRU Mounts

Trylon Part #	Cross Reference	Description	Ship Weight
4.927.0057.001		4-way RRU Mount Kit (2-3/8" OD to 4-1/2" OD, 3" to 4" angle)	45
4.927.0063.001	MTC3326DHD	2-Way RRU Mount	25
4.927.0064.001	PM-RU3	3-Way RRU Mount	36
4.927.0064.001	PM-RU3T	3-Way RRU Mount	36

The Ericsson RRU Mount Kits provide simple and cost effective mounting of one to four Ericsson RRUs. These kits will mount to a variety of member shapes and sizes including pipe, solid round and angle, allowing utilization of existing tower members. Each kit includes 2 levels of bracket assemblies and universal hardware for attachment to the tower or pipe mount. All components are hot-dip galvanized with exception of the plastic endcaps.



Picture displayed may not be indicative of the kit selected

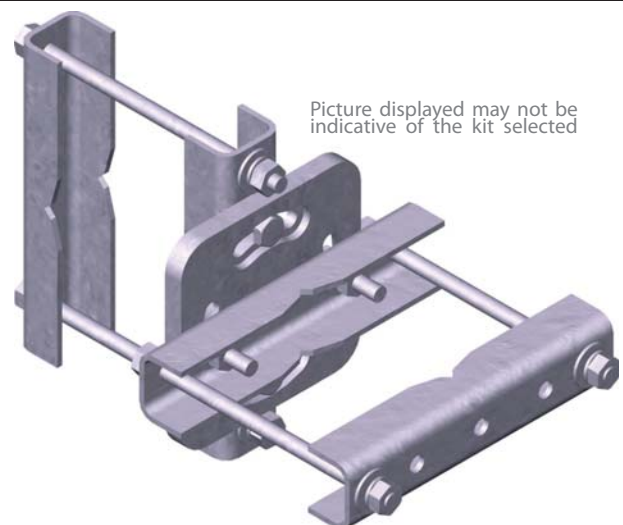
Crossover Kits

Universal Crossover Assemblies

Trylon Part #	Cross Reference	Description	Ship Weight
5.960.0005.002	CC-100	Universal Crossover Assembly (fits two members up to 4-1/2" OD)	10
5.960.0005.002	XA-U	Universal Crossover Assembly (fits two members up to 4-1/2" OD)	10
5.960.0005.002	CC-100-6	Universal Crossover Assembly (fits two members up to 4-1/2" OD)	10
5.960.0005.003	CC-215	Universal Crossover Assembly (fits two members up to 5-5/8" OD)	23
5.960.0005.003	CC-215-6	Universal Crossover Assembly (fits two members up to 5-5/8" OD)	23

The universal crossover assemblies are commonly used to secure two members (such as pipes, angles, or HSS) at angles ranging from 45° to 90°. Depending on the kit, attachment sizes can range from 3/4" OD up to 11" OD. All parts are hot dip galvanized to provide corrosion protection in all environmental conditions.

Please note that OD means "outer diameter," and can be used for any structural member that falls within the size given.



Picture displayed may not be indicative of the kit selected

