

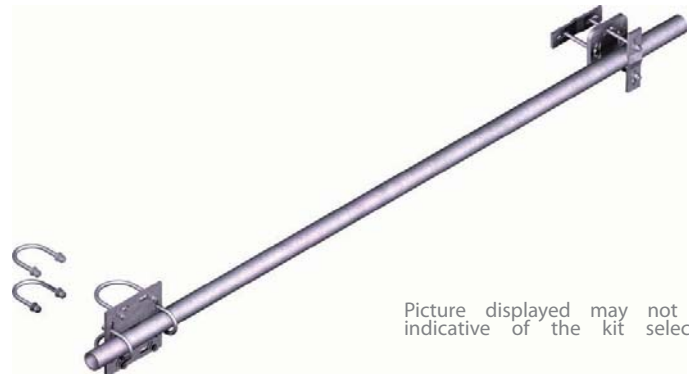
# Tie-Back Kits

## Tie-Back Assemblies

Trylon Part #	Cross Reference	Description	Ship Weight
5.963.0004.001		4' long, with up to 3-1/2" or 4-1/2" OD fixed at one end, and up to 3-1/2" OD adjustability at the other end	39
5.963.0004.002		6' long, with up to 3-1/2" or 4-1/2" OD fixed at one end, and up to 3-1/2" OD adjustability at the other end	46
5.963.0004.003	SA-B12	8' long, with up to 3-1/2" or 4-1/2" OD fixed at one end, and up to 3-1/2" OD adjustability at the other end	54
5.960.1056.238	SA-B	Tie Back Bracket Assembly c/w Fixed Crossover Assembly (Pipe not Included)	23
5.960.1056.350	SA-BU	Tie Back Bracket Assembly c/w Universal Crossover Assembly (Pipe not Included)	33
5.951.0006.001	RF-TDK	Roof Mount - Universal 84" Tie-Back Assembly	50

Tie-back Assemblies are commonly used to stabilize antennas and maintain critical azimuth orientation. They are highly recommended with any antenna mount that has a large antenna or separation, and in high wind or heavy ice conditions.

An assortment of 2-3/8" OD tie-backs are offered that meet almost any field application. The two key factors in determining the correct tie-back assembly are the overall length required and the attachments at either end.



Picture displayed may not be indicative of the kit selected

# Face Mount Frames

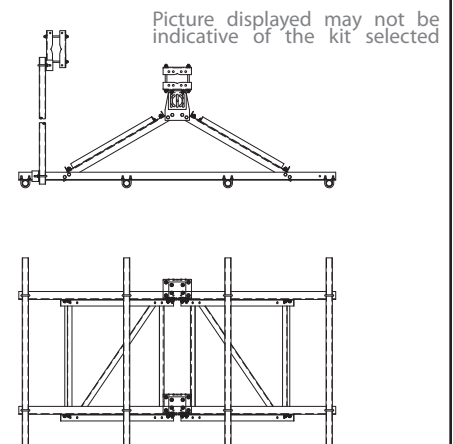
## V-Frame Mounts

Trylon Part #	Cross Reference	Description	Ship Weight
5.927.1010.100	QT-SF10-B	V-Frame Standoff Sector Mount, 10' Face with strut support, antenna pipes not included.	480
5.927.1010.100	SF-SU10-B	V-Frame Standoff Sector Mount, 10' Face with strut support, antenna pipes not included.	480
5.927.1012.100	SF-QV12-B	V-Frame Standoff Sector Mount, 12' Face with strut support, antenna pipes not included.	500
5.927.1012.100	SF-SU12-B	V-Frame Standoff Sector Mount, 12' Face with strut support, antenna pipes not included.	500
5.927.1012.100	SF-U12-B	V-Frame Standoff Sector Mount, 12' Face with strut support, antenna pipes not included.	500
5.927.1012.372	QT-SF12-3-72	V-Frame Standoff Sector Mount, 12' Face with strut support and (3) 6' antenna pipes	520
5.927.1012.496	SF-SU12-4-96	V-Frame Standoff Sector Mount, 12' Face with strut support and (4) 8' antenna pipes	640

Trylon's versatile V-Frame Sector Mounts are offered in 7', 10', 12' and 14' face widths. These V-Frames are available with up to (4) vertical pipes in various lengths.

These kits come with backing kits that can accommodate various sized tower legs, up to 7-1/2" OD, or 60° and 90° angle legs up to 6" in size.

A 10' long tie-back assembly is also included to stabilize your antennas in high wind or ice conditions.



Picture displayed may not be indicative of the kit selected

