

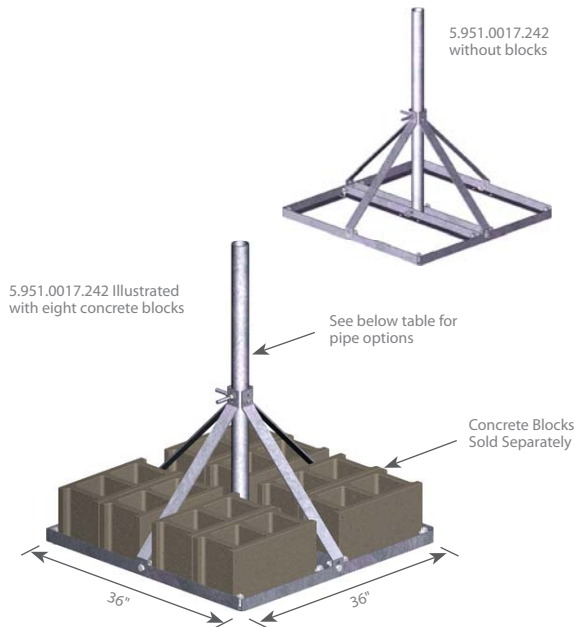
Roof Top Structures

Light Duty Ballast Mounts

The non-penetrating Light Duty Ballast Mounts can secure single wireless antennas while keeping the roof top surface free from damage.

The smooth underside of the 36" square base frame allows standard concrete blocks, 8" x 8" x 16" in size and sold separately, to be used as counterweight. Kits can be purchased with either a 1.90" OD or 2³/₈" OD pipes sizes in varying lengths.

All material is hot dip galvanized to weather the elements.



Small Ballast Mounts

The non-penetrating Small Ballast Mounts have double the capacity of the adjacent Light Duty Ballast Mounts and are ideal for mounting larger panel antennas or small dishes. The 60" x 60" base frame has a smooth underside that ensures damage free contact with the roof top, which are ballast using standard 2' x 2' patio stones (sold separately). Three pipe options are available for the main mount (2³/₈", 3¹/₂" and 4¹/₂" OD) in varying lengths to suit almost any type of antenna. The unique strut design allows ±2° panning capability, which is ideal for those slightly sloped roofs. All material is hot dip galvanized.



Quick Guide			
Size	Four pipe options	Mounts to	Non-penetrating design
Design	Light Duty Mount	Material	Hot dip galvanized steel
Feature	Simple bolt-together design	Order Separately	Concrete blocks and rubber mats

Kit #	Description	Qty	List Price	Wt
Light Duty Ballast Mounts (36" x 36" square base)				
5.951.0017.130	Light Duty Ballast Mount with a 1.90" OD x 30" pipe mount	Ea	\$231	54
5.951.0017.160	Light Duty Ballast Mount with a 1.90" OD x 60" pipe mount	Ea	\$247	61
5.951.0017.230	Light Duty Ballast Mount with a 2 ³ / ₈ " OD x 30" pipe mount	Ea	\$236	57
5.951.0017.242	Light Duty Ballast Mount with a 2 ³ / ₈ " OD x 42" pipe mount	Ea	\$245	60

Quick Guide			
Size	Three pipe options	Mounts to	Non-penetrating design
Design	Standard Mount	Material	Hot dip galvanized steel
Feature	Adjusts ±2° roof slope	Order Separately	Patio stones (2' x 2') and rubber mats

Kit #	Description	Qty	List Price	Wt
Small Ballast Mounts (60" x 60" base)				
5.951.0029.005	Small Ballast Mount with a 2 ³ / ₈ " OD x 5' pipe mount	Ea	\$539	151
5.951.0029.015	Small Ballast Mount with a 2 ³ / ₈ " OD x 15' pipe mount	Ea	\$641	189
5.951.0039.005	Small Ballast Mount with a 3 ¹ / ₂ " OD x 5' pipe mount	Ea	\$604	172
5.951.0039.008	Small Ballast Mount with a 3 ¹ / ₂ " OD x 8' pipe mount	Ea	\$668	196
5.951.0049.005	Small Ballast Mount with a 4 ¹ / ₂ " OD x 5' pipe mount	Ea	\$652	189

Roof Top Structures

Heavy Duty Roof Mounts

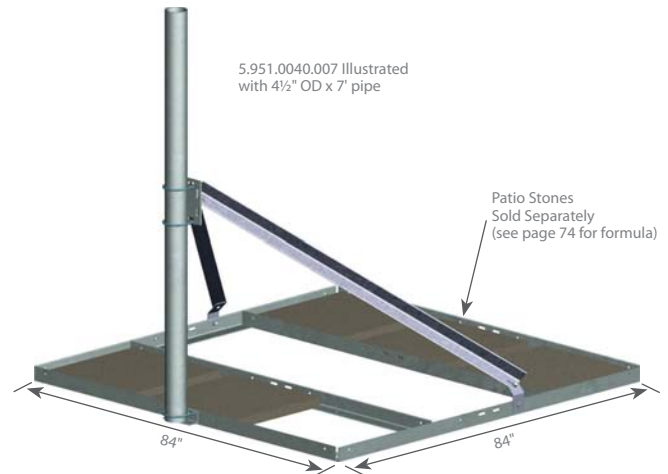
Trylon's non-penetrating Heavy Duty Roof Mounts are truly universal since they can be used as a single roof mount, or be extended to a versatile multi-panel sector frame mount (see following page).

The main mounting pipes are offered in three sizes (2³/₈", 3¹/₂", and 4¹/₂" OD) and two overall lengths (7' and 10'), which gives you the ability to attach a multitude of antennas. The unique strut design allows a ±2° panning adjustment of the mounting pipe from vertical, which is very useful for sloped roof tops.

Each roof mount kit comes complete with a 7' x 7' ballast tray that allow standard off-the-shelf 2' x 2' patio stones to be used as counterweight (sold separately). Additional ballast trays are optional for those heavily loaded conditions. Please call us to determine when to use extra trays and how many patio stones are required.

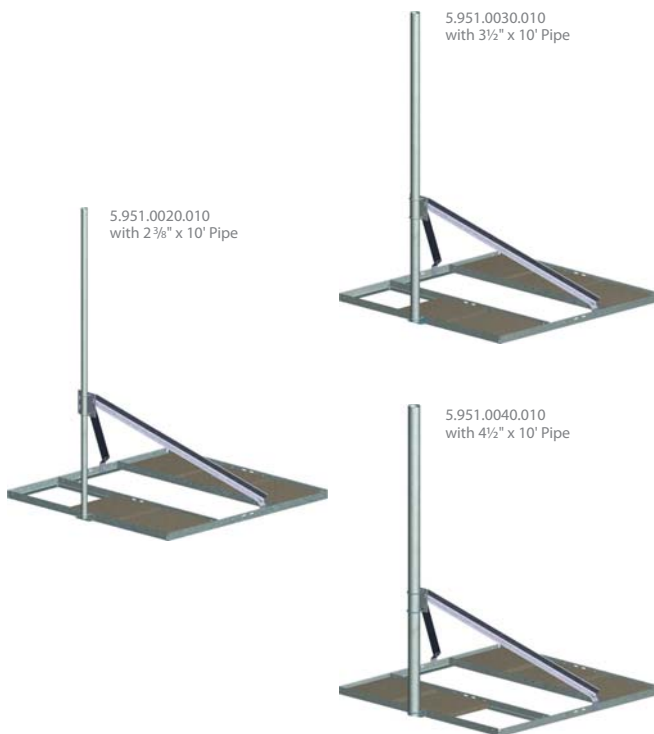
All material is hot dip galvanized to weather the elements.

Please call if you require a different pipe length.



Quick Guide

Size	Three pipe options with 7' or 10' lengths	Mounts to	Non-penetrating design
Design	Heavy duty roof mount	Material	Hot dip galvanized steel
Feature	Expandible and adjusts ±2° slopes	Order Separately	Penetration kits, rubber mats & 2' x 2' patio stones



Kit #	Description	Qty	List Price	Wt
2³/₈" OD Mounting Pipes				
5.951.0020.007	Heavy Duty Roof Mount with 2 ³ / ₈ " OD x 7' pipe mount	Ea	\$781	259
5.951.0020.010	Heavy Duty Roof Mount with 2 ³ / ₈ " OD x 10' pipe mount	Ea	\$811	270
3¹/₂" OD Mounting Pipes				
5.951.0030.007	Heavy Duty Roof Mount with 3 ¹ / ₂ " OD x 7' pipe mount	Ea	\$868	288
5.951.0030.010	Heavy Duty Roof Mount with 3 ¹ / ₂ " OD x 10' pipe mount	Ea	\$931	312
4¹/₂" OD Mounting Pipes				
5.951.0040.007	Heavy Duty Roof Mount with 4 ¹ / ₂ " OD x 7' pipe mount	Ea	\$935	312
5.951.0040.010	Heavy Duty Roof Mount with 4 ¹ / ₂ " OD x 10' pipe mount	Ea	\$1025	346

- Notes: 1. Each kit comes complete with vertical pipe, ballast tray and strut assembly.
2. For the 7' pipe mounts, all other members are 7' or less in length for easy elevator access. Please verify elevator size before purchasing 10' pipe mount options.

Roof Top Structures

Heavy Duty Sector Frame Roof Mounts

Trylon's non-penetrating Heavy Duty Sector Frame Roof Mounts can install up to four antennas in a sector. As with the standard roof mounts, these mounts also have the ability to pan $\pm 2^\circ$ to accommodate sloped roof tops.

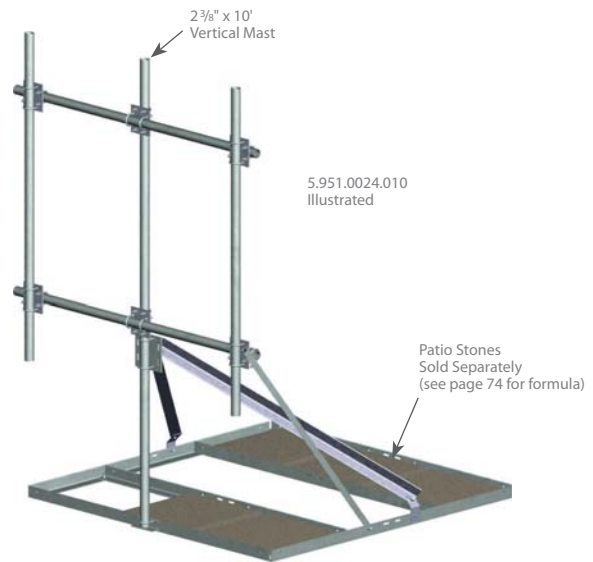
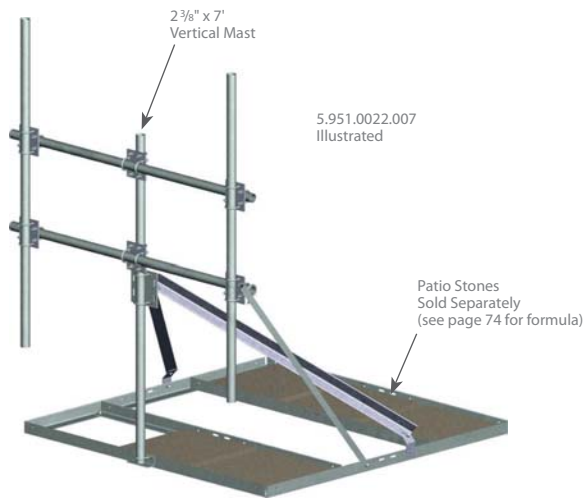
The main vertical $2\frac{3}{8}$ " OD vertical support pipes are offered in two overall heights (7' and 10'). Antenna mounting pipes are all $2\frac{3}{8}$ " OD x 7' long pipes.

Each sector frame mount kit comes complete with one non-penetrating 7' x 7' ballast tray. For larger face widths, such as 14', two side by side sectors are recommended. Since sector frames often have heavier loading requirements, additional trays and

splices may be required. Please call us to determine when to use extra trays and to find the optimal quantity of patio stones for your application.

All material is hot dip galvanized to weather the elements.

Quick Guide			
Size	7' face with 2, 3, or 4 pipe mounts	Mounts to	Non-penetrating design
Design	Heavy duty sector frame roof mount	Material	Hot dip galvanized steel
Feature	Expandable and adjusts $\pm 2^\circ$ slopes	Order Separately	Penetration kits, rubber mats & 2' x 2' patio stones



Kit #	Description	Qty	List Price	Wt
$2\frac{3}{8}$" OD x 7' Vertical Mast Pipe				
5.951.0022.007	Heavy Duty Sector Frame with (2) $2\frac{3}{8}$ " OD x 7' pipe mounts	Ea	\$1581	427
5.951.0023.007	Heavy Duty Sector Frame with (3) $2\frac{3}{8}$ " OD x 7' pipe mounts	Ea	\$1614	439
5.951.0024.007	Heavy Duty Sector Frame with (4) $2\frac{3}{8}$ " OD x 7' pipe mounts	Ea	\$1772	470

Notes: 1. Each kit comes complete with vertical pipe array, ballast tray, strut assembly, tie back, and antenna mounting pipes and hardware.
 2. For the 7' vertical support pipes, all members are 7' or less in length for easy elevator access. Please verify elevator size before purchasing 10' vertical support options.

Kit #	Description	Qty	List Price	Wt
$2\frac{3}{8}$" OD x 10' Vertical Mast Pipe				
5.951.0022.010	Heavy Duty Sector Frame with (2) $2\frac{3}{8}$ " OD x 10' pipe mounts	Ea	\$1804	481
5.951.0023.010	Heavy Duty Sector Frame with (3) $2\frac{3}{8}$ " OD x 10' pipe mounts	Ea	\$1962	513
5.951.0024.010	Heavy Duty Sector Frame with (4) $2\frac{3}{8}$ " OD x 10' pipe mounts	Ea	\$1995	524

Notes: 1. Each kit comes complete with vertical pipe array, ballast tray, strut assembly, tie back, and antenna mounting pipes and hardware.
 2. For the 7' vertical support pipes, all members are 7' or less in length for easy elevator access. Please verify elevator size before purchasing 10' vertical support options.

Roof Top Structures

Roof Top Ballast Frames

Non-penetrating Roof Top Ballast Frames enable the installation of an entire sector of wireless antennas. The frame's bottom surface is smooth to prevent roof damage and secured using standard concrete blocks (8" x 8" x 16" in size and sold separately).

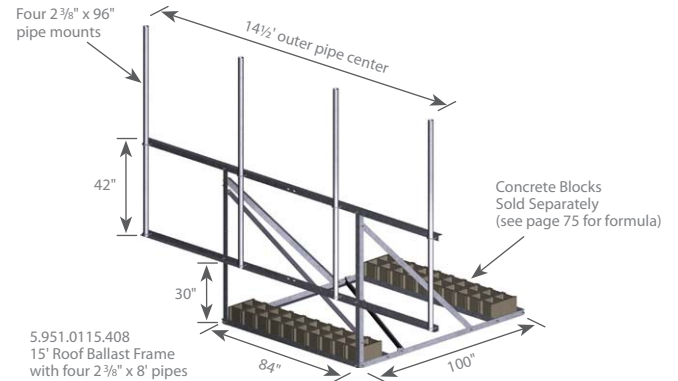
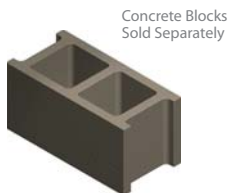
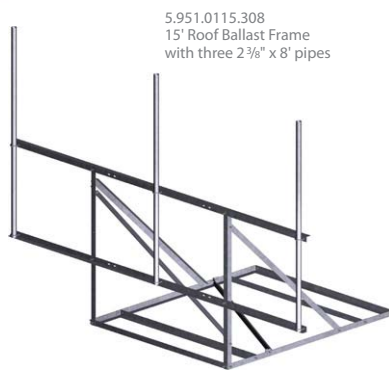
The Frames are available in 7', 12', and 15' overall face widths ensuring adequate antenna separation to suit your needs. Optional 2³/₈" pipes are pre-kitted in various lengths (72", 96", and 120"). Otherwise, our angle mounts have slotted holes to allow any length of pipes from 1⁷/₈" to 3¹/₂" OD to be installed (see page 32 for pre-kitted pipes with u-bolt hardware).

All material is hot galvanized to resist corrosion damage.

(Note, call for information regarding the amount of ballast required for your site-specific loading, or use the formula and example on page 75.)

Quick Guide

Size	7', 12', and 15' widths	Mounts to	Non-penetrating design
Design	Single sector ballast frame	Material	Hot dip galvanized steel
Feature	With or without pipe mounts	Order Separately	Concrete blocks, rubber mats, and tie-down kits



Kit #	Description	Qty	List Price	Wt
7' Wide Roof Top Ballast Frames				
5.951.0107.001	Roof Top Ballast Frame, 7' Wide No pipe mounting hardware	Ea	\$893	269
5.951.0107.206	Roof Top Ballast Frame, 7' Wide with two 2 ³ / ₈ " x 72" pipes	Ea	\$1064	318
5.951.0107.208	Roof Top Ballast Frame, 7' Wide with two 2 ³ / ₈ " x 96" pipes	Ea	\$1106	333
5.951.0107.210	Roof Top Ballast Frame, 7' Wide with two 2 ³ / ₈ " x 120" pipes	Ea	\$1148	349
12' Wide Roof Top Ballast Frames				
5.951.0112.001	Roof Top Ballast Frame, 12' Wide No pipe mounting hardware	Ea	\$958	294
5.951.0112.306	Roof Top Ballast Frame, 12' Wide with three 2 ³ / ₈ " x 72" pipes	Ea	\$1215	368
5.951.0112.308	Roof Top Ballast Frame, 12' Wide with three 2 ³ / ₈ " x 96" pipes	Ea	\$1277	391
5.951.0112.310	Roof Top Ballast Frame, 12' Wide with three 2 ³ / ₈ " x 120" pipes	Ea	\$1340	414
5.951.0112.406	Roof Top Ballast Frame, 12' Wide with four 2 ³ / ₈ " x 72" pipes	Ea	\$1300	393
5.951.0112.408	Roof Top Ballast Frame, 12' Wide with four 2 ³ / ₈ " x 96" pipes	Ea	\$1384	424
5.951.0112.410	Roof Top Ballast Frame, 12' Wide with four 2 ³ / ₈ " x 120" pipes	Ea	\$1467	454
15' Wide Roof Top Ballast Frames				
5.951.0115.001	Roof Top Ballast Frame, 15' Wide No pipe mounting hardware	Ea	\$1007	310
5.951.0115.306	Roof Top Ballast Frame, 15' Wide with three 2 ³ / ₈ " x 72" pipes	Ea	\$1264	384
5.951.0115.308	Roof Top Ballast Frame, 15' Wide with three 2 ³ / ₈ " x 96" pipes	Ea	\$1327	407
5.951.0115.310	Roof Top Ballast Frame, 15' Wide with three 2 ³ / ₈ " x 120" pipes	Ea	\$1389	430
5.951.0115.406	Roof Top Ballast Frame, 15' Wide with four 2 ³ / ₈ " x 72" pipes	Ea	\$1349	408
5.951.0115.408	Roof Top Ballast Frame, 15' Wide with four 2 ³ / ₈ " x 96" pipes	Ea	\$1433	439
5.951.0115.410	Roof Top Ballast Frame, 15' Wide with four 2 ³ / ₈ " x 120" pipes	Ea	\$1517	470

NOTE: The outer pipe to pipe center distance will be a 1/2' less than given face width (e.g. 15' has 14¹/₂' pipe-pipe center).

Roof Top Structures

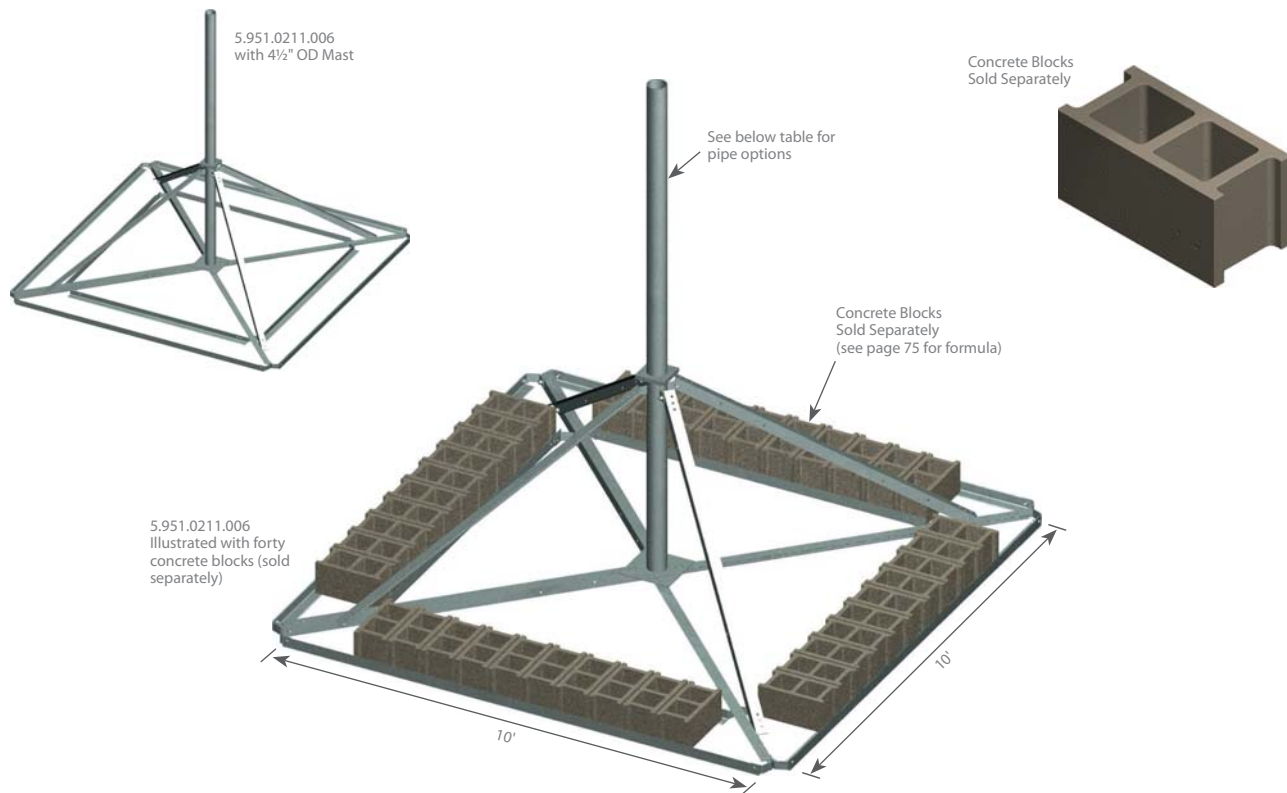
10' x 10' Ballast Mounts

The 10' x 10' Ballast Mount Kits are Trylon's largest non-penetrating roof mounts. The large 10' x 10' base area has a smooth underside to protect roof surface from damage and secured with standard 8" x 8" x 16" concrete blocks, sold separately. Its large area give this mount an increased tip-over capacity compared to other roof mount options available.

Four pipe options are available for the main mast (2 3/8", 2 7/8", 3 1/2" and 4 1/2" OD) all in 6' lengths to suit almost any type of antenna. This 6' mast gives an overall maximum height of 10' above the roof surface.

All material is hot dip galvanized after fabrication.

(Note, call for information regarding the amount of ballast required for your site-specific loading, or use the formula and example on page 75.)



Quick Guide			
Size	Four pipe size options	Mounts to	Non-penetrating design
Design	Simple bolt-together design	Material	Hot dip galvanized steel
Feature	Large tip-over capacity	Order Separately	8" x 8" x 16" Concrete blocks

Kit #	Description	Qty	List Price	Wt
Ballast Mounts (10' x 10' base)				
5.951.0211.006	10' x 10' Ballast Mount with a 4 1/2" OD Pipe Mast	Ea	\$1686	541
5.951.0212.006	10' x 10' Ballast Mount with a 3 1/2" OD Pipe Mast	Ea	\$1634	522
5.951.0213.006	10' x 10' Ballast Mount with a 2 7/8" OD Pipe Mast	Ea	\$1603	512
5.951.0214.006	10' x 10' Ballast Mount with a 2 3/8" OD Pipe Mast	Ea	\$1566	498

Trylon 21 South Field Drive, Elmira, ON N3B 0A6

P: 519.669.5421 F: 519.669.8912 E: info@trylon.com W: www.trylon.com

Roof Top Structures

Roof Mount Add-On Components

BALLAST TRAY EXTENSION KITS

The non-penetrating Ballast Tray Extension kits, in conjunction with splice plates (sold separately), allow either our Small Ballast Mount (26" x 60") or our Heavy Duty Roof Mount (26" x 85") kits to have extended counter balance capacity. The trays are ballast secured using standard 2' x 2' patio stones which fit easily inside either tray option. All material is hot dip galvanized.

Call us on when to utilize these extension kits.

TRAY SPLICE

Tray Splices allow horizontal or vertical connections between two Ballast Trays. All hardware is included for one splice connection and all material is hot dip galvanized.

BALLAST TIE-DOWN KIT

Ballast Tie-Down Kits provide added reassurance for securing the patio stones or concrete blocks in the trays. The kit will hold three to six layers of standard 2" high patio stones, or 12" high concrete blocks through its 13" long j-bolts. All material is hot dip galvanized.

PENETRATING KIT

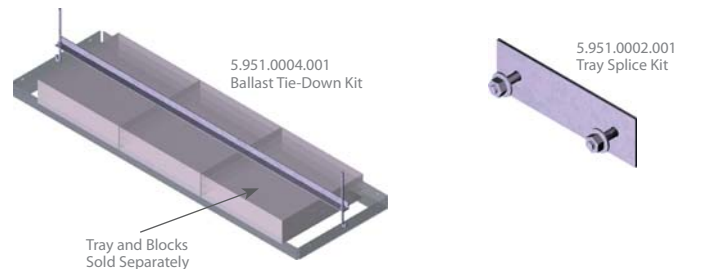
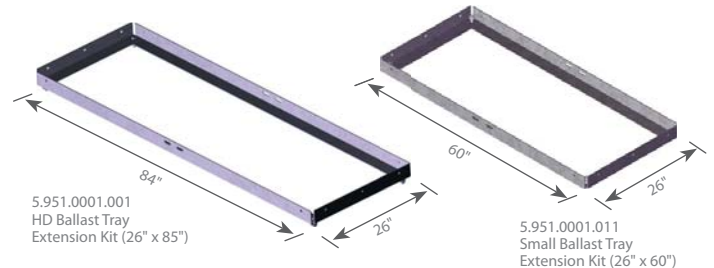
Roof Penetrating Kits come standard with a penetration plate and 1/2" A325 bolt to attach to the Ballast Tray. Trylon recommends installing one kit per tray corner. Actual roof penetration hardware is sold separately. However, one recommended method is to use the wedge anchors on page 80.

ROOF MOUNT TIE-BACK ASSEMBLIES

The Roof Mount Tie-Back Assemblies are used to stabilize an array of antennas secured to the roof mount tray. Two options are offered, one is universal and can attach up to 3 1/2" OD pipes at one end, while the standard tie back assembly fits 2 3/8" pipes at the other end. All hardware is hot dip galvanized.

RUBBER MAT

Rubber Mats may be use under any of Trylon's non-penetrating Roof Mounts to prevent damage to the roof surface and prevent the mount from sliding due to wind vibration. Individually sized to 5' x 7' x 1/2" thick mats.

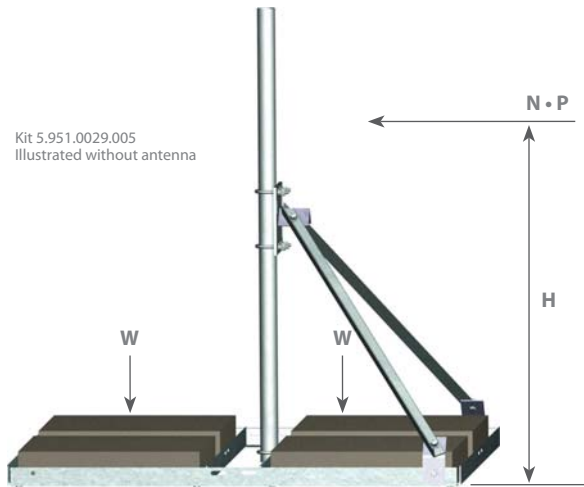


Kit #	Description	Qty	List Price	Wt
Roof Mount Components				
5.951.0001.001	26" x 85" Tray Extension Kit	Ea	\$180	73
5.951.0001.011	26" x 60" Tray Extension Kit	Ea	\$137	50
5.951.0002.001	Tray Splice Assembly	Ea	\$18	2
5.951.0004.001	Ballast Tie-Down Kit	Ea	\$56	18
5.951.0005.001	Penetrating Kit	Ea	\$27	7
5.951.0006.001	Universal Roof Mount Tie-Back Kit	Ea	\$179	43
5.951.0006.002	2 3/8" Roof Mount Tie-Back Kit	Ea	\$42	14
5.2205076	Rubber Mat, 5' x 7' x 1/2"	Ea	\$250	100

Roof Top Structures

Small Ballast Formula

(for Small Ballast Frames on page 68)



Formula:

$$W = 0.30 N P H - 60 \text{ [includes 1.5 factor of safety for overturning]}$$

Where W = required ballast per tray in pounds (two trays per mount)
 N = number of antennas
 P = wind load of one antenna in pounds
 H = height of antenna centerline above roof surface

Total ballast required is $2 \cdot W$

Example:

N = 1 antenna (2ft Parabolic Dish has 3.14ft²)
 P = 169 lbs wind load (3.14ft² • 1.4 drag • 25.6psf • 1.5 KzG_H)
 H = 4' antenna centerline above roof

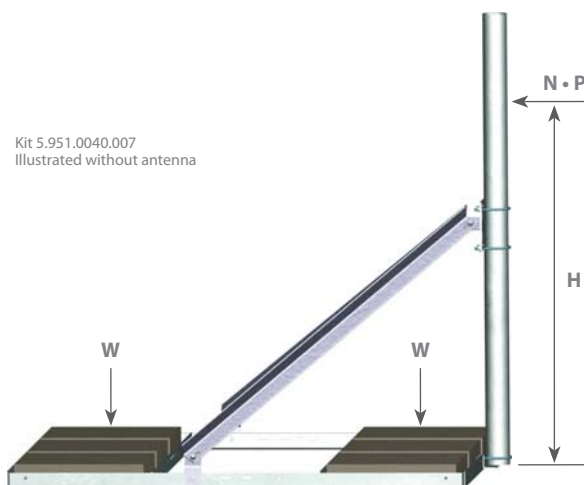
$$\text{Formula: } W = (0.30) \cdot (1) \cdot (169) \cdot (4) - 60 = 143 \text{ lbs}$$

Total ballast required is $2W$, therefore 286 lbs is required.

Please verify weight of the patio stones being purchased from the supplier.

Heavy Duty Roof Formula

(for Heavy Duty Roof Mounts on page 69)



Formula:

$$W = 0.22 N P H - 78 \text{ [includes 1.5 factor of safety for overturning]}$$

Where W = required ballast per tray in pounds (two trays per mount)
 N = number of antennas
 P = wind load of one antenna in pounds
 H = height of antenna centerline above roof surface

Total ballast required is $2 \cdot W$

Example:

N = 1 antenna (4ft Parabolic Dish has 17.6ft² drag area)
 P = 34 psf wind pressure (local code for 80mph at 100ft)
 H = 6' antenna centerline above roof

$$\text{Formula: } W = (0.22) \cdot (1) \cdot (17.6 \cdot 34) \cdot (6) - 78 = 712 \text{ lbs}$$

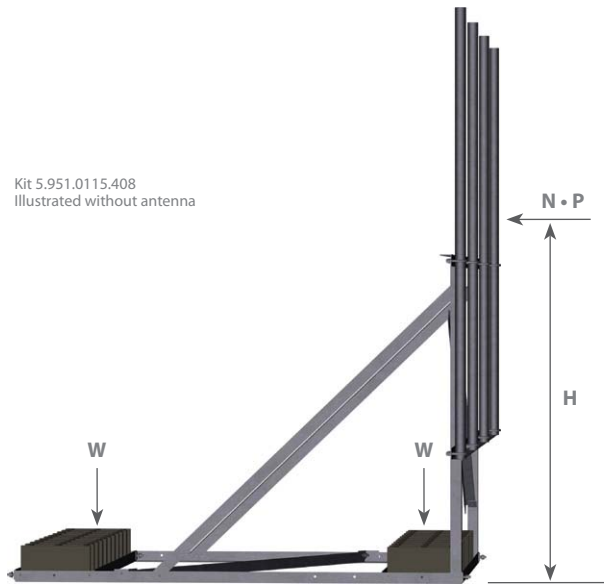
Total ballast required is $2W$, therefore 1424 lbs is required.

Please verify weight of the patio stones being purchased from the supplier.

Roof Top Structures

Roof Top Ballast Formula

(for Roof Top Ballast Frames on page 71)



Formula:

$$W = 0.18 N P H \text{ [includes 1.5 factor of safety for overturning]}$$

Where W = required ballast per tray in pounds (two trays per mount)

N = number of antennas

P = wind load of one antenna in pounds

H = height of antenna centerline above roof surface

Total ballast required is $2 \cdot W$

Example:

$N = 4$ antennas

$P = 100$ lbs wind load per antenna

$H = 75$ " antenna centerline above roof

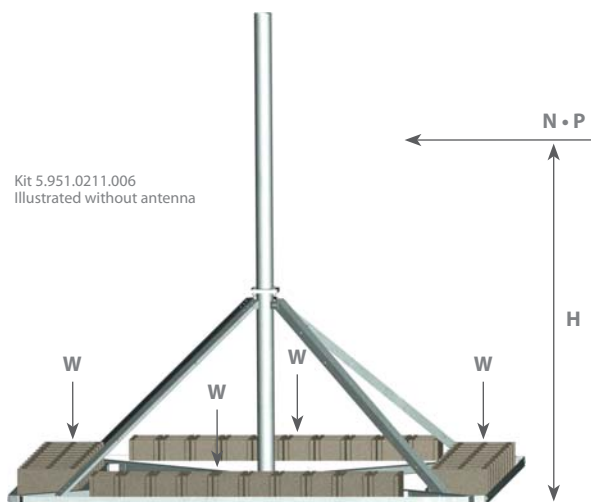
Formula: $W = (0.18) \cdot (4) \cdot (100) \cdot (6.25) = 450$ lbs

Total ballast required is $2W$, therefore 900 lbs is required.

Please verify weight of the concrete blocks being purchased from the supplier.

10' x 10' Ballast Formula

(for 10' x 10' Ballast Mounts on page 72)



Formula:

$$W = 0.075 N P H - 115 \text{ [includes 1.5 factor of safety for overturning]}$$

Where W = required ballast per tray in pounds (two trays per mount)

N = number of antennas

P = wind load of one antenna in pounds

H = height of antenna centerline above roof surface

Total ballast required is $4 \cdot W$

Example:

$N = 1$ antenna

$P = 700$ lbs wind load per antenna

$H = 9$ ' antenna centerline above roof

Formula: $W = (0.075) \cdot (1) \cdot (700) \cdot (9) - 115 = 358$ lbs

Total ballast required is $4W$, therefore 1432 lbs is required.

Please verify weight of the concrete blocks being purchased from the supplier.

Roof Top Structures

Clip Angle Kits

Trylon's Clip Angle Kits provide a strong and secure solution for mounting microwave, directional or omni antennas. This versatile mount will accept 1 7/8" to 4 1/2" OD pipes, sold separately, to customize the application to suit your specific needs. They are offered in four sizes: small, medium, large and adjustable. The small clip series has the capability of attaching pipes ranging from 1 7/8" to 3 1/2" OD in size. The medium clips

series is a little more robust and can attach pipes ranging from 1 7/8" to 4 1/2" OD. The large clips are our strongest and comes with double u-bolts that can attach pipes ranging from 1 7/8" to 4 1/2" OD. Lastly, our large adjustable series of clip angles have slotted holes that allow up to 1 1/2" panning capability. The 1/2" A325 bolt assemblies are typically spaced on 3" centers, except for the small series that are spaced on 6" centers. All material is hot dip galvanized.



Kit #	Description	Qty	List Price	Wt
Small Clip Angle Kits				
5.960.0011.100	Small Clip Angle Kit	Ea	\$23	3.4
5.960.0011.101	Small Clip Angle Kit fits 2 3/8" OD pipe	Ea	\$33	4.2
5.960.0011.102	Small Clip Angle Kit fits 3" OD pipe	Ea	\$35	4.3
5.960.0011.103	Small Clip Angle Kit fits 3 1/2" OD pipe	Ea	\$35	4.3

Kit #	Description	Qty	List Price	Wt
Medium Clip Angle Kits				
5.960.0012.100	Medium Clip Angle Kit	Ea	\$33	6.3
5.960.0012.101	Medium Clip Angle Kit fits 2 3/8" OD pipe	Ea	\$41	7.1
5.960.0012.102	Medium Clip Angle Kit fits 3" OD pipe	Ea	\$44	7.2
5.960.0012.103	Medium Clip Angle Kit fits 3 1/2" OD pipe	Ea	\$46	7.2
5.960.0012.104	Medium Clip Angle Kit fits 4 1/2" OD pipe	Ea	\$48	7.4

Note: Two 9/16" holes are spaced on 6" centers.

Note: Three 9/16" holes are spaced on 3" centers.



Kit #	Description	Qty	List Price	Wt
Large Clip Angle Kits				
5.960.0013.100	Large Clip Angle Kit	Ea	\$60	12.0
5.960.0013.101	Large Clip Angle Kit fits 2 3/8" OD pipe	Ea	\$76	13.0
5.960.0013.102	Large Clip Angle Kit fits 3" OD pipe	Ea	\$80	13.0
5.960.0013.103	Large Clip Angle Kit fits 3 1/2" OD pipe	Ea	\$82	13.0
5.960.0013.104	Large Clip Angle Kit fits 4 1/2" OD pipe	Ea	\$85	14.0

Kit #	Description	Qty	List Price	Wt
Large Adjustable Clip Angle Kits				
5.960.0014.100	Large Adjustable Clip Angle Kit	Ea	\$62	11.0
5.960.0014.101	Large Adjustable Clip Angle Kit fits 2 3/8" OD pipe	Ea	\$78	13.0
5.960.0014.102	Large Adjustable Clip Angle Kit fits 3" OD pipe	Ea	\$82	13.0
5.960.0014.103	Large Adjustable Clip Angle Kit fits 3 1/2" OD pipe	Ea	\$85	13.0
5.960.0014.104	Large Adjustable Clip Angle Kit fits 4 1/2" OD pipe	Ea	\$87	13.0

Note: Three 9/16" holes are spaced on 3" centers.

Note: Three 9/16" slots are spaced on 3" centers.

Trylon 21 South Field Drive, Elmira, ON N3B 0A6

P: 519.669.5421 F: 519.669.8912 E: info@trylon.com W: www.trylon.com

Roof Top Structures

Clip Mount Kits

Our Clip Mount Kits are an extension of the adjacent clip angle kits but come standard with an additional reversible bottom angle. For wall mounting applications and sold separately, we have standard bracket options available on page 80 that can connect to concrete walls (5.951.0010.005) or combined concrete/brick walls (5.951.0011.005) up to 16" thick. See page

80 for other wall bracket possibilities. For tower leg mounting applications, these clip mount kits can be used with the backing assemblies on page 14 (sold separately) to suit almost any tower leg possibility. All material is hot dip galvanized to for maximum protection.

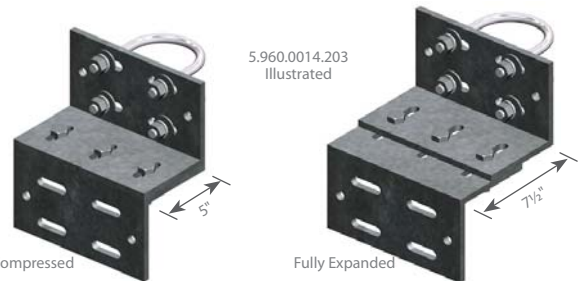
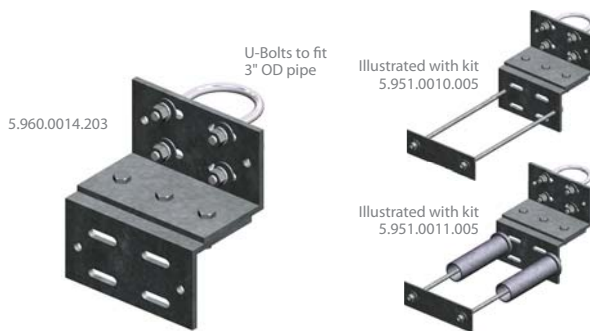


Kit #	Description	Qty	List Price	Wt
Small Clip Mount Kits				
5.960.0011.200	Small Clip Mount Kit	Ea	\$40	6.6
5.960.0011.201	Small Clip Mount Kit fits 2 3/8" OD pipe	Ea	\$50	7.3
5.960.0011.202	Small Clip Mount Kit fits 3" OD pipe	Ea	\$52	7.4
5.960.0011.203	Small Clip Mount Kit fits 3 1/2" OD pipe	Ea	\$54	7.4

Note: Two 9/16" holes are spaced on 6" centers.

Kit #	Description	Qty	List Price	Wt
Medium Clip Mount Kits				
5.960.0012.200	Medium Clip Mount Kit	Ea	\$56	12.0
5.960.0012.201	Medium Clip Mount Kit fits 2 3/8" OD pipe	Ea	\$64	13.0
5.960.0012.202	Medium Clip Mount Kit fits 3" OD pipe	Ea	\$66	13.0
5.960.0012.203	Medium Clip Mount Kit fits 3 1/2" OD pipe	Ea	\$68	13.0
5.960.0012.204	Medium Clip Mount Kit fits 4 1/2" OD pipe	Ea	\$70	13.0

Note: Three 9/16" holes are spaced on 3" centers.



Kit #	Description	Qty	List Price	Wt
Large Clip Mount Kits				
5.960.0013.200	Large Clip Mount Kit	Ea	\$84	22.0
5.960.0013.201	Large Clip Mount Kit fits 2 3/8" OD pipe	Ea	\$118	24.0
5.960.0013.202	Large Clip Mount Kit fits 3" OD pipe	Ea	\$122	24.0
5.960.0013.203	Large Clip Mount Kit fits 3 1/2" OD pipe	Ea	\$124	24.0
5.960.0013.204	Large Clip Mount Kit fits 4 1/2" OD pipe	Ea	\$126	24.0

Note: Three 9/16" holes are spaced on 3" centers.

Kit #	Description	Qty	List Price	Wt
Large Adjustable Clip Mount Kits				
5.960.0014.200	Large Adjustable Clip Mount Kit	Ea	\$104	22.0
5.960.0014.201	Large Adjustable Clip Mount Kit fits 2 3/8" OD pipe	Ea	\$119	23.0
5.960.0014.202	Large Adjustable Clip Mount Kit fits 3" OD pipe	Ea	\$123	24.0
5.960.0014.203	Large Adjustable Clip Mount Kit fits 3 1/2" OD pipe	Ea	\$125	24.0
5.960.0014.204	Large Adjustable Clip Mount Kit fits 4 1/2" OD pipe	Ea	\$127	24.0

Note: Three 9/16" slots are spaced on 3" centers.

Roof Top Structures

Light Standoff Wall Mounts

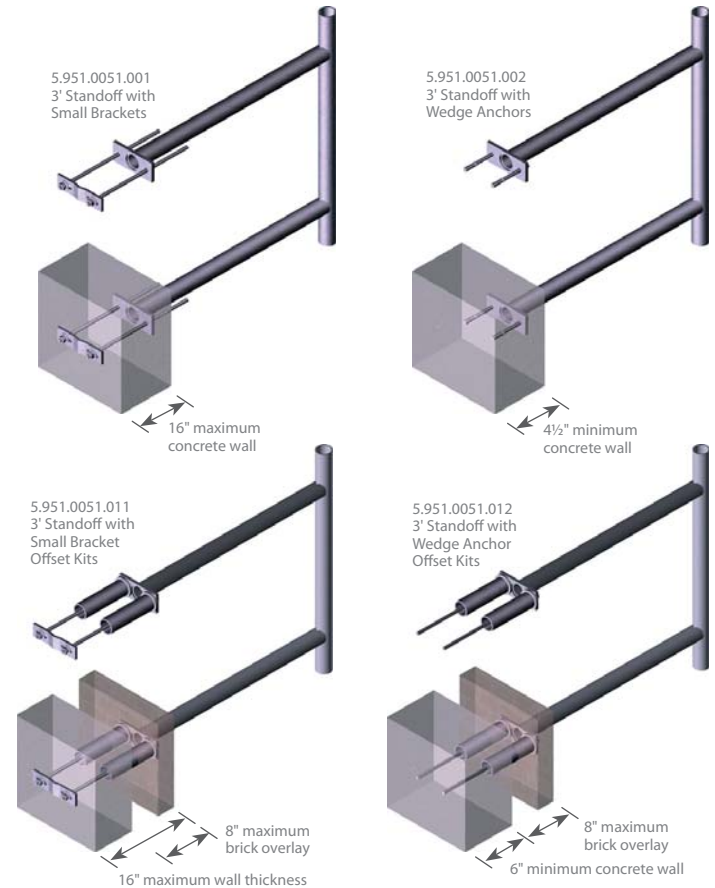
Light Standoff Wall Mounts are the complete wall mounting solution for wireless omni-directional antennas. They come in five standard offsets ranging from 2' to 6' in 1' increments.

To save time in ordering the wall mount brackets separately, we have pre-kitted the basic options shown on page 80. There are two standard wall brackets: one for thru-wall two-point connections to concrete walls up to 16" thick (small bracket kits), and the other for partial wall penetration (wedge anchor kits). Also, there are two offset brackets to accommodate attachment to concrete walls with an external overlay such as brick. The small offset bracket will fit walls with a combined 16" thickness with a maximum 8" overlay. The wedge anchor offset kits can anchor into a 6" minimum concrete wall with an 8" maximum overlay. Please review page 80 descriptions for further clarification on the mounting brackets.

All material is hot dip galvanized to weather the elements.

Quick Guide			
Size	5 offset sizes and 4 mounting options	Mounts to	Concrete walls with, and without, overlays
Design	One piece welded frame	Material	Hot dip galvanized steel
Feature	2 3/8" OD x 3' mounting pipe	Order Separately	N/A

Kit #	Description	Qty	List Price	Wt
Light - 2' Standoff				
5.951.0050.001	2' S/O with Small Bracket Kits	Ea	\$201	39
5.951.0050.002	2' S/O with Wedge Anchor Kits	Ea	\$238	33
5.951.0050.011	2' S/O with Small Bracket Offset Kits	Ea	\$289	52
5.951.0050.012	2' S/O with Wedge Anchor Offset Kits	Ea	\$320	50
Light - 3' Standoff				
5.951.0051.001	3' S/O with Small Bracket Kits	Ea	\$220	47
5.951.0051.002	3' S/O with Wedge Anchor Kits	Ea	\$257	41
5.951.0051.011	3' S/O with Small Bracket Offset Kits	Ea	\$308	60
5.951.0051.012	3' S/O with Wedge Anchor Offset Kits	Ea	\$339	57



Kit #	Description	Qty	List Price	Wt
Light - 4' Standoff				
5.951.0052.001	4' S/O with Small Bracket Kits	Ea	\$279	62
5.951.0052.002	4' S/O with Wedge Anchor Kits	Ea	\$317	56
5.951.0052.011	4' S/O with Small Bracket Offset Kits	Ea	\$368	75
5.951.0052.012	4' S/O with Wedge Anchor Offset Kits	Ea	\$398	72
Light - 5' Standoff				
5.951.0053.001	5' S/O with Small Bracket Kits	Ea	\$298	69
5.951.0053.002	5' S/O with Wedge Anchor Kits	Ea	\$335	64
5.951.0053.011	5' S/O with Small Bracket Offset Kits	Ea	\$386	83
5.951.0053.012	5' S/O with Wedge Anchor Offset Kits	Ea	\$417	80
Light - 6' Standoff				
5.951.0054.001	6' S/O with Small Bracket Kits	Ea	\$317	77
5.951.0054.002	6' S/O with Wedge Anchor Kits	Ea	\$354	71
5.951.0054.011	6' S/O with Small Bracket Offset Kits	Ea	\$405	90
5.951.0054.012	6' S/O with Wedge Anchor Offset Kits	Ea	\$436	88

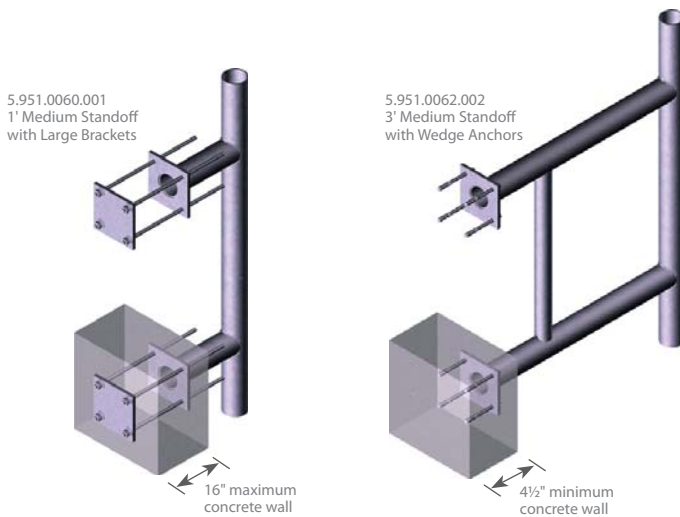
Trylon 21 South Field Drive, Elmira, ON N3B 0A6

P: 519.669.5421 F: 519.669.8912 E: info@trylon.com W: www.trylon.com

Roof Top Structures

Medium Standoff Wall Mounts

Medium Standoff Wall Mounts are offered in three sizes (1', 2', and 3') to suit your specific application. Its versatile 3½" ODx52" long pipe can accommodate small dishes, t-frames and most wireless or panel antennas. Like the light standoffs on page 78, the medium standoffs are offered in two standard wall brackets and two offset brackets to accommodate the majority of concrete wall installations. Please review pages 78 and 80 for descriptions and further clarification on the mounting brackets. All material is hot dip galvanized.



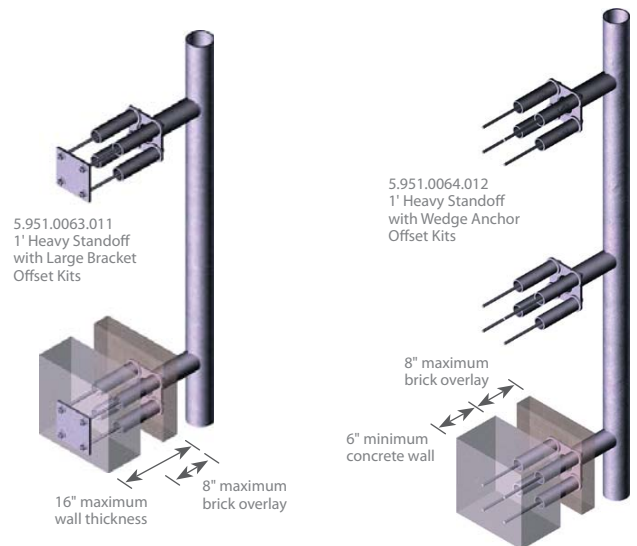
Kit #	Description	Qty	List Price	Wt
Medium - 1' Standoff				
5.951.0060.001	1' S/O with Large Bracket Kits	Ea	\$365	84
5.951.0060.002	1' S/O with Wedge Anchor Kits	Ea	\$405	65
5.951.0060.011	1' S/O with Large Bracket Offset Kits	Ea	\$537	111
5.951.0060.012	1' S/O with Wedge Anchor Offset Kits	Ea	\$563	97
Medium - 2' Standoff				
5.951.0061.001	2' S/O with Large Bracket Kits	Ea	\$403	100
5.951.0061.002	2' S/O with Wedge Anchor Kits	Ea	\$443	81
5.951.0061.011	2' S/O with Large Bracket Offset Kits	Ea	\$575	127
5.951.0061.012	2' S/O with Wedge Anchor Offset Kits	Ea	\$601	113
Medium - 3' Standoff				
5.951.0062.001	3' S/O with Large Bracket Kits	Ea	\$484	125
5.951.0062.002	3' S/O with Wedge Anchor Kits	Ea	\$524	105
5.951.0062.011	3' S/O with Large Bracket Offset Kits	Ea	\$656	151
5.951.0062.012	3' S/O with Wedge Anchor Offset Kits	Ea	\$682	138

Heavy Standoff Wall Mounts

Heavy Standoff Wall Mounts are capable of holding large 12" microwave dishes. The 4½" OD mounting pipe is available in two lengths, 6' and 8', and has a standard 1' offset. Similar to light and medium standoffs, heavy standoffs are offered in two standard wall brackets and two offset brackets to accommodate most concrete wall mounting scenarios. Please review pages 78 and 80 for descriptions and further clarification on the wall mounting brackets. All material is hot dip galvanized.

Quick Guide

Size	5 offset sizes and 4 mounting options	Mounts to	Concrete walls with, and without, overlays
Design	One piece welded frame	Material	Hot dip galvanized steel
Feature	3½" x 52" pipe mount and 4½" x 6' or 8' pipe mounts	Order Separately	Wireless Frames (18-19) Stabilizer Clips (pg 80)



Kit #	Description	Qty	List Price	Wt
Heavy - 1' Standoff with 4½" x 6' Pipe				
5.951.0063.001	1' S/O with Large Bracket Kits	Ea	\$448	117
5.951.0063.002	1' S/O with Wedge Anchor Kits	Ea	\$487	97
5.951.0063.011	1' S/O with Large Bracket Offset Kits	Ea	\$619	143
5.951.0063.012	1' S/O with Wedge Anchor Offset Kits	Ea	\$646	130
Heavy - 1' Standoff with 4½" x 8' Pipe				
5.951.0064.001	1' S/O with Large Bracket Kits	Ea	\$639	164
5.951.0064.002	1' S/O with Wedge Anchor Kits	Ea	\$698	134
5.951.0064.011	1' S/O with Large Bracket Offset Kits	Ea	\$896	203
5.951.0064.012	1' S/O with Wedge Anchor Offset Kits	Ea	\$936	183

Roof Top Structures

Wall Mount Brackets

Wall Mount Brackets can be purchased separately and will easily fit any Trylon standoff (pages 2 to 7), single arm standoff (page 16), or T-frame configuration (pages 25 to 29).

Standard brackets and offset brackets accommodate different types of wall mount applications. All material is hot dip galvanized.

STANDARD BRACKETS

Standard Wall Mount Brackets provide the ideal concrete wall mounting solution, while minimizing drilling impact during installation. Five assembly options are available: small bracket, large bracket, wedge anchor, adhesive capsule, and clip angle bracket.

The small bracket is installed via a thru-wall two-point connection of 1/2" threaded rods and a small backing plate. The large bracket is installed via a thru-wall four-point connection of 1/2" threaded rods and a larger square backer plate. The wedge anchor is installed with an expansion bolt and is used when partial wall penetration is desired. The adhesive kit includes two tubes for 1/2" anchors. While the clip angle bracket is specific for the Clip Mount Kits on page 77. Note, both the small, large, and clip angle brackets can attach to concrete walls up to 16" thickness, whereas the wedge anchor requires a minimum wall thickness of 4 1/2" for proper anchoring.

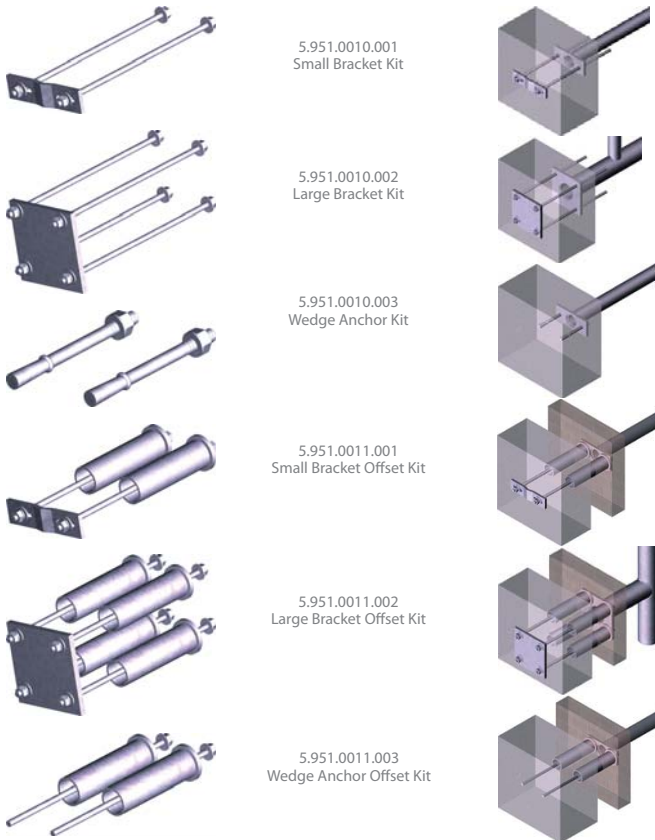
OFFSET BRACKETS

Wall Mounted Offset Brackets provide the mounting alternative for concrete walls with brick or siding overlays. Four offset assembly options are available: small bracket, large bracket, wedge anchor, and clip angle brackets.

The small, large, and clip angle offset brackets have 1/2" rods, backing plates and offset sleeves that fit up to a combined 16" wall thickness, but this includes a maximum 8" exterior overlay. The wedge anchor offset assembly utilizes 1/2" rods, offset sleeves and an adhesive compound anchored to a minimum 6" concrete wall thickness with a maximum 8" exterior thickness.

STABILIZER CLIPS

Wall Mounted Stabilizer Clips are used to attach the stabilizer arms of microwave dishes to various types of walls. Four options have been kitted using standard and offset brackets with our standard stabilizer clip.



Kit #	Description	Qty	List Price	Wt
Standard Brackets				
5.951.0010.001	Small Bracket Kit	Ea	\$23	4.0
5.951.0010.002	Large Bracket Kit	Ea	\$58	12.0
5.951.0010.003	Wedge Anchor Kit	Ea	\$37	1.0
5.951.0010.004	Adhesive Capsule Kit	Ea	\$16	0.2
5.951.0010.005	Clip Angle Bracket Kit	Ea	\$24	4.0
Offset Brackets				
5.951.0011.001	Small Bracket Offset Kit	Ea	\$86	11.0
5.951.0011.002	Large Bracket Offset Kit	Ea	\$192	25.0
5.951.0011.003	Wedge Anchor Offset Kit	Ea	\$104	9.2
5.951.0011.005	Clip Angle Bracket Offset Kit	Ea	\$88	11.0
Stabilizer Assemblies				
5.951.0014.001	Stabilizer Clip, with Small Bracket	Ea	\$52	9.2
5.951.0014.002	Stabilizer Clip, with Wedge Anchors	Ea	\$69	6.3
5.951.0014.011	Stabilizer Clip, Small Offset Bracket	Ea	\$93	16.0
5.951.0014.012	Stabilizer Clip, Wedge Offset Anchors	Ea	\$108	15.0
Stabilizer Assemblies				
5.951.1014.012	3/4" x 10" long Sleeve Pipe	Ea	\$8	1.1

Trylon 21 South Field Drive, Elmira, ON N3B 0A6

P: 519.669.5421 F: 519.669.8912 E: info@trylon.com W: www.trylon.com